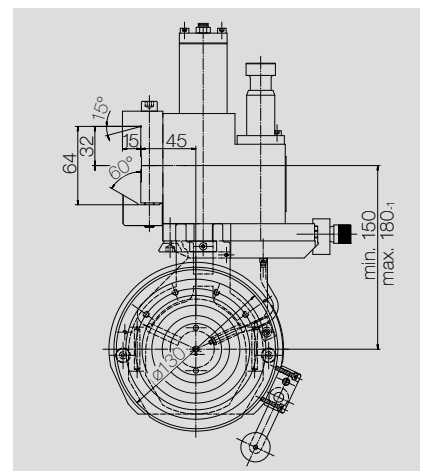


KNIFE HOLDER.

SHEAR CUT KNIFE HOLDER.

Type PSGm 25 DF

Minimum slit width	25 mm
Knife diameter	130 mm
Operating pressure vertical	4.5–6 bar
Operating pressure horizontal	4.5–6 bar
Vertical stroke	30 mm
Depth adjustment	manual
Horizontal stroke	2.5 mm
Slitting speed (max.)	1,000 m/min.
Shear angle setting	with angle plate
360° hand guard	optional
Adjusting slide (Easy Set)	optional
Razor blade head	optional
Dust extraction hood	optional
Quick change head system for shear and razor blade cut	optional
Lubrication felt	optional
Various adapters	optional



Special designs and features on request.

Typical fields of operation:

- | aluminium foil
- | adhesive tape / labels
- | cable strap
- | textiles / nonwoven
- | plastic
- | paper
- | and many more

Benefits:

- | reproducible slitting forces which can be adapted to the material
- | increase in knife service life due to clearance-free, vibration reducing guidance system
- | double guidance provides high stability
- | reduced set up times due to quick change head system
- | optional features can be upgraded on demand

DIENES also manufactures suitable top and bottom knives as well as manual, semi-automatic and automatic slitting systems.

